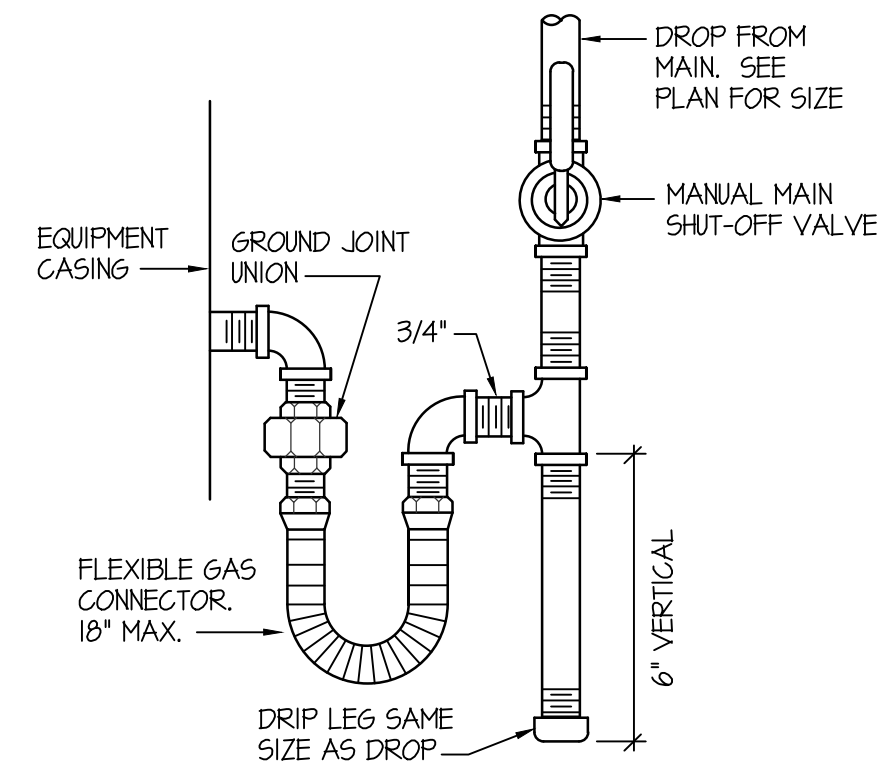
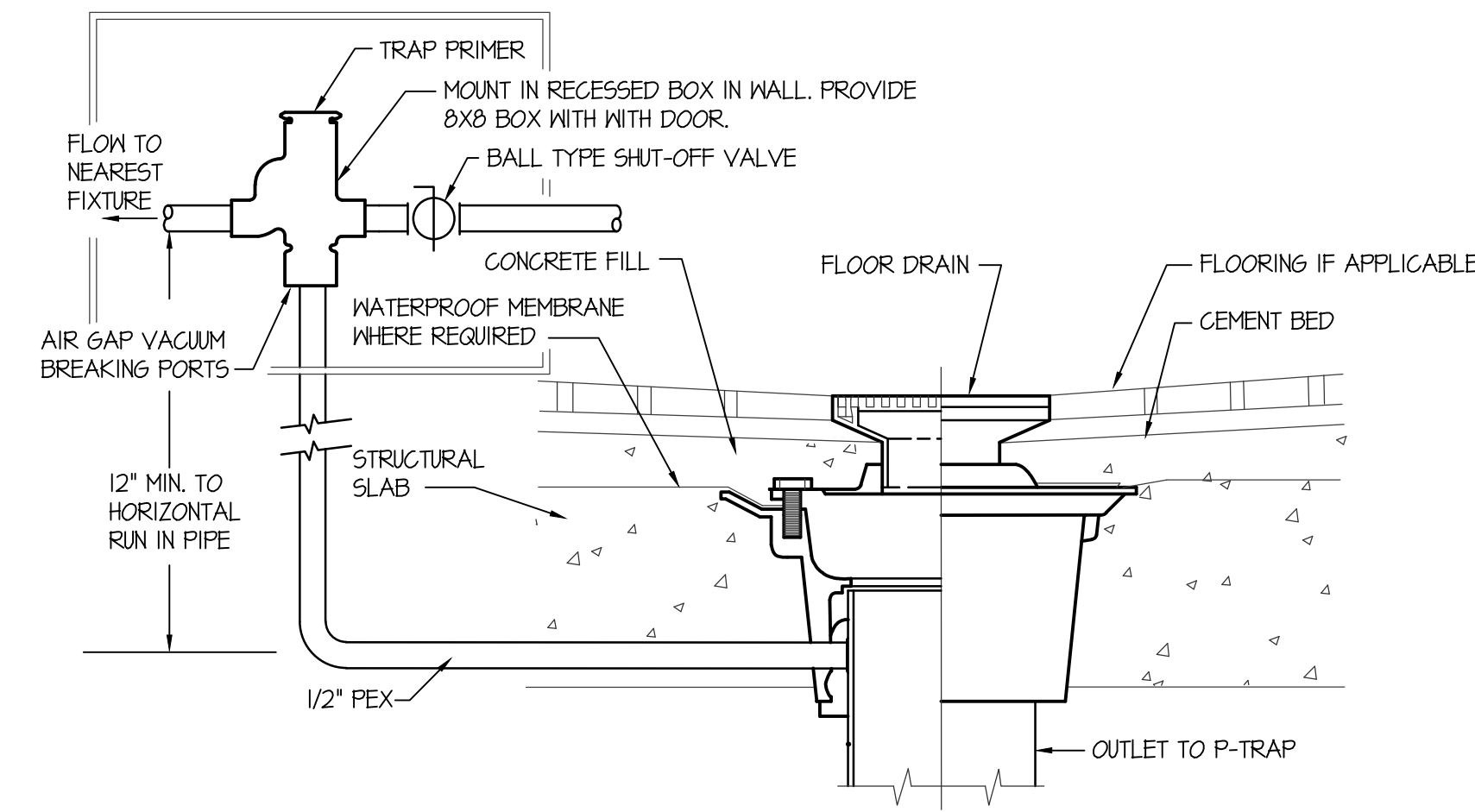


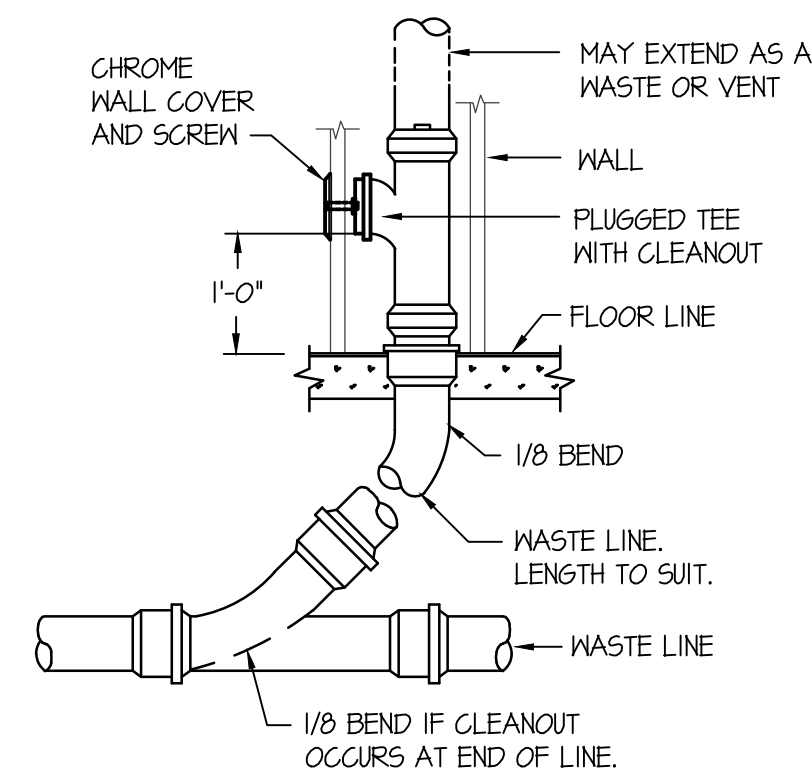
GAS FIRED WATER HEATER PIPING DIAGRAM
NO SCALE



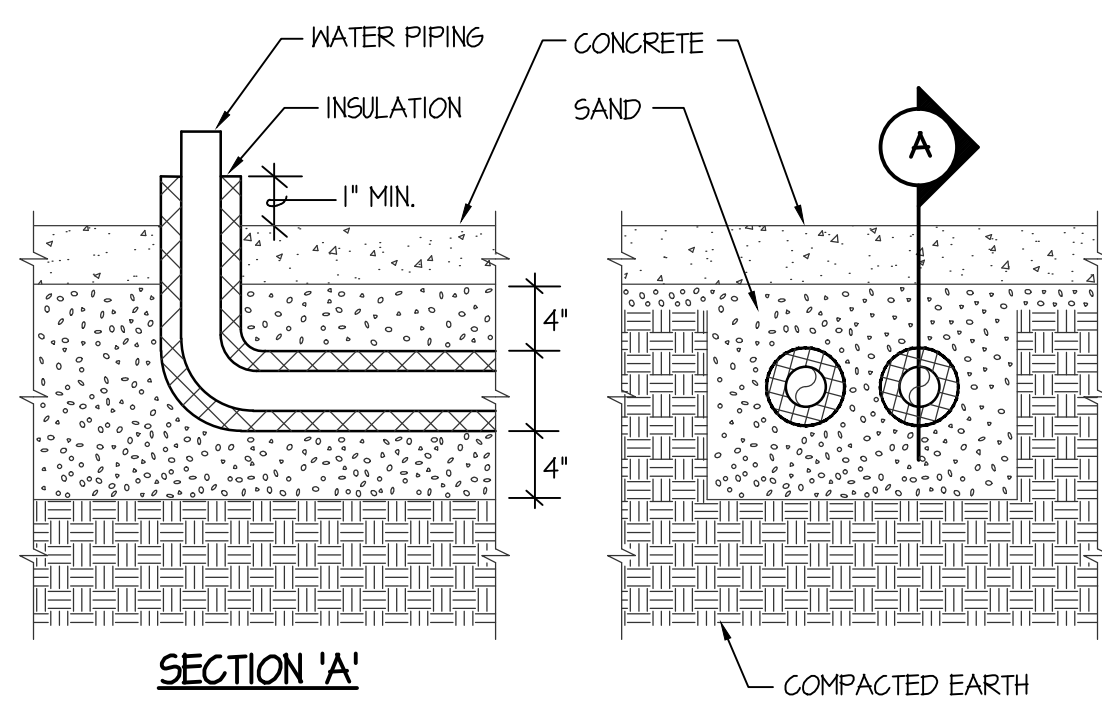
GAS LINE CONNECTION DETAIL
NO SCALE



TRAP PRIMER DETAIL
NO SCALE

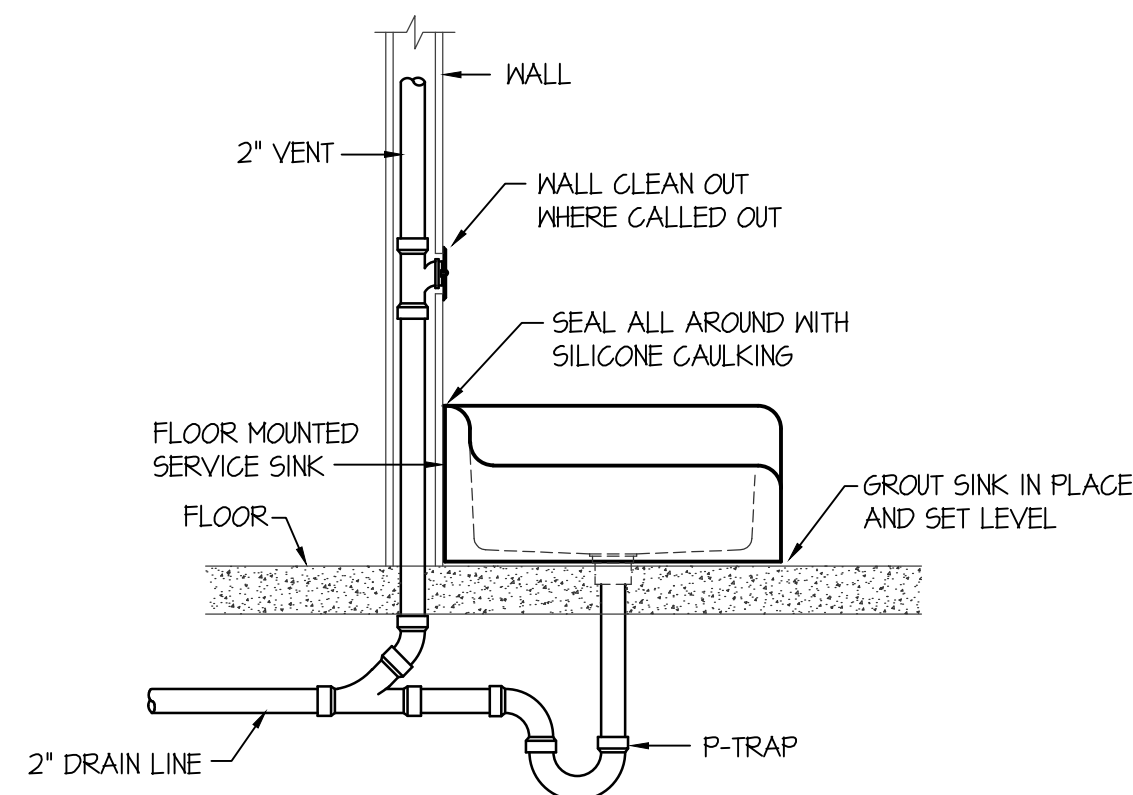


WALL CLEANOUT DETAIL
NO SCALE



- NOTES:**
- 1 - ALL WATER PIPING INSTALLED UNDERFLOOR SHALL BE TYPE "K" COPPER OR PEX
 - 2 - WATER PIPE INSULATION ON UNDERFLOOR PIPING SHALL BE ARMAFLEX 3/4" THICK RUBBER PIPE INSULATION. TAPE INSULATION AT ALL SEAMS.
 - 3 - MINIMUM PIPE SIZE UNDERFLOOR SHALL BE 3/4" OR 1/2" PEX
 - 4 - SAND FILL AROUND PIPING SHALL BE A MINIMUM OF 4" THICK. MATERIAL SHALL BE HAND TAMPED, RODDED OR LIGHTLY COMPACTED DURING INSTALLATION. CARE SHOULD BE TAKEN NOT TO DEFORM OR OTHERWISE DAMAGE PIPING OR INSULATION.

UNDER SLAB PIPE INSTALLATION DETAIL
NO SCALE

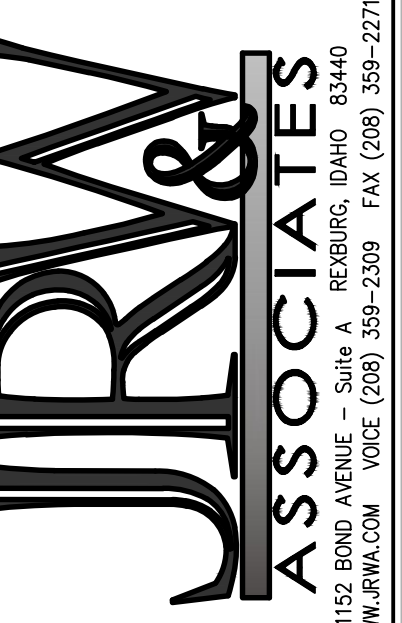


SERVICE SINK INSTALLATION DETAIL
NO SCALE

FIXTURE SCHEDULE					
SYM.	DESCRIPTION	HOT	COLD	WASTE	VENT
(BS-1)	BREAK ROOM DOUBLE COMPARTMENT SINK - ELKAY MODEL LR-3314 WITH 1/2" GA TYPE 304 STAINLESS STEEL CONSTRUCTION, 3-HOLE FAUCET DRILLINGS, MOEN 7560SL FAUCET, (2) LK-49 STRAINERS, 1-1/2" P-TRAP AND 1/2" BALL TYPE STOP VALVES.	1/2"	1/2"	2"	2"
(DF-1)	BI-LEVEL DRINKING FOUNTAIN - ELKAY MODEL EZ-STLBNKLG WITH EZH2O BOTTLE FILLER FLEXI-GUARD BUBBLERS, 1/2" STOP AND 1-1/2" P-TRAP. PROVIDE ALL INTERCONNECTING PIPING AND DRAIN.	---	1/2"	1-1/2"	1-1/2"
(FD-1)	2" FLOOR DRAIN WITH PRIMER - ZURN Z-415B WITH 5"Ø NICKEL-BRONZE STRAINER AND 2" DEEP SEAL P-TRAP WITH ZURN I022 TRAP PRIMER.	---	---	2"	2"
(FD-2)	2" FLOOR DRAIN- ZURN Z-415B WITH 5"Ø NICKEL-BRONZE STRAINER AND 2" DEEP SEAL P-TRAP.	---	---	2"	2"
(FS-1)	FLOOR SINK - ZURN Z-1900-KC WITH WHITE ENAMEL FINISH, DOME STRAINER AND 2" DEEP SEAL P-TRAP. PROVIDE 3/4" GRATE OVER SINK.	---	---	2"	2"
(IM-1)	ICE MAKER - TO BE FURNISHED BY OWNER PLUMBER TO PROVIDE 1/2" CW WATER LINE WITH BACKFLOW PREVENTOR TO MACHINE WITH SHUT-OFF VALVE AND 3/8" ADAPTER. RUN 3/4" DRAIN TO FLOOR SINK WITH AIR GAP.	---	1/2"	3/4"	---
(JS-1)	FLOOR MOUNTED SERVICE SINK - FIAT MODEL 24EFS (24"x24") MOP SINK WITH FIAT 830AA FAUCET, HOSE & HOSE CLAMP AND 2" DEEP SEAL P-TRAP AND STRAINER.	1/2"	1/2"	2"	2"
(L-1)	ADA COUNTERTOP LAVATORY - KOHLER MODEL K-2405-4 SELF-RIMMING "FARMINGTON" WITH MOEN L4601 LEVER FAUCET, K-7115 OPEN GRID STRAINER, 1/2" BALL STOPS AND 1-1/4" P-TRAP. PROVIDE INSULATING JACKET ON HW PIPING AND P-TRAP.	1/2"	1/2"	1-1/2"	1-1/2"
(RP-1)	CIRCULATING PUMP - GRUNDFOS MODEL UP15-10B7 BRONZE PUMP WITH 3/4" FLANGES (2 GPM @ 5' OF HEAD) 120/60/1	3/4"	---	---	---
(SH-1)	ADA SHOWER - OASIS MODEL SHFW-3837 38"x37"x16-1/4" SHOWER WITH FOLD UP SEAT, GRAB BARS, SHOWER CURTAIN & ROD, MOEN 2352 SHOWER VALVE & MOEN 3664EP HANDHELD SHOWER ASSEMBLY WITH 24" SLIDE BAR AND T4P BALANCING VALVE. PROVIDE 2" DRAIN WITH DEEP SEAL P-TRAP. SEE PLAN FOR RIGHT OR LEFT HAND.	1/2"	1/2"	---	---
(SH-2)	SHOWER- AQUATIC MODEL 13632P 36"x36"x12" SHOWER WITH CURTAIN & ROD, MOEN 2352 T4P BALANCING VALVE WITH SHOWER HEAD ARM, FLANGE AND FIXED SHOWER HEAD. PROVIDE 2" DRAIN WITH DEEP SEAL P-TRAP. SEE PLAN FOR RIGHT OR LEFT HAND.	1/2"	1/2"	---	---
(U-1)	ADA WALL MOUNTED URINAL - KOHLER K-4484-T "FRESHMAN" WITH WALL CARRIER & SLOAN REGAL 106 SFSM-0.5 BATTERY FLUSH VALVE. MOUNT AT ADA LEVEL.	---	3/4"	2"	2"
(U-2)	WALL MOUNTED URINAL - KOHLER K-4484-T "FRESHMAN" W/ WALL CARRIER & SLOAN REGAL 106 SFSM-0.5 BATTERY FLUSH VALVE.	---	3/4"	2"	2"
(WC-1)	ADA FLUSH VALVE WATER CLOSET - KOHLER K-4360 "HIGHCLIFF" WITH ELONGATED BOWL, K-4670C WHITE OPEN FRONT SEAT, SLOAN REGAL III SFSM-16 BATTERY FLUSH VALVE (FLUSH VALVE LEVER TO ACCOMMODATE ADA ACCESS SIDE OF TOILET REFER TO FLOOR PLAN) AND CHINA BOLT CAPS.	---	1"	4"	2"
(WC-2)	FLUSH VALVE WATER CLOSET - KOHLER K-4350 "MELCOMME" WITH ELONGATED BOWL, K-4670C WHITE OPEN FRONT SEAT, SLOAN REGAL III SFSM-16 BATTERY FLUSH VALVE AND CHINA BOLT CAPS.	---	1"	4"	2"
(WH-1)	GAS WATER HEATER- A.O. SMITH MODEL 6PYX-TSL HEATER WITH 120 VOLT POWER CORD, AMTROL ST-5 EXPANSION TANK, T4P VALVE. 76,000 BTU INPUT. SEE DETAIL THIS SHEET.	1"	1"	---	---

BRENT A. MCFARLAND AR-2561

STATE OF IDAHO



CONSULTANTS:
MECHANICAL ENGINEERING
ENGINEERED SYSTEMS ASSO.
1355 East Center
Pocatello, Idaho 83201
(208) 233-0501
Fax (801) 233-0529
ELECTRICAL ENGINEERING
PAYNE ENGINEERING INC.
1823 E. Center St.
Pocatello, Idaho 83201
(208) 232-4439
Fax (208) 232-1435

PROJECT: Brad Hall and Associates Office
IDAHO FALLS, IDAHO
DRAWING TITLE: PLUMBING SCHEDULES & DETAILS

REVISION:		
#	DATE	COMMENT

DRAWN BY: SR TIO
JOB NO: TIO
CHECKED BY: DCS DATE: JUNE 2019
PLOT DATE: 5/24/19

ORIGINAL DRAWING SIGNED BY: DWAYNE G. SUDBECKS
DATE ORIGINAL SIGNED: Jun 24, 2019
ORIGINAL ON FILE AT ENGINEERED SYSTEMS ASSOCIATES
1855 EAST CENTER, POCATELLO, IDAHO 83201

Engineered Systems Associates
1355 EAST CENTER
POCATELLO, IDAHO 83201
PHONE: (208) 233-0501
FAX: (208) 233-0529
EMAIL: esa@engsystems.com
ESA JOB NUMBER: 19018

PROFESSIONAL ENGINEER REGISTERED 5762
STATE OF IDAHO DWAYNE G. SUDBECKS

DRAWING NO. FILE: P20
OF -